



reddot winner 2025

# Lusol

**gaviota**

The Sun & Shutter Specialists

**MADE IN  
BRITAIN**

# Lusol

Cassette awning, winner of the Red Dot Winner 2025 award, thanks to its innovative design, cutting-edge technology and outstanding functionality.

Equipped with LED lights integrated into the arms and the cassette, it provides elegant and versatile illumination. The cassette features a high-performance hermetic closure, protecting the fabric throughout every season of the year. Aluminium end caps, coordinated with the structure, and standard plates for wall or ceiling installation make fitting quick and easy.

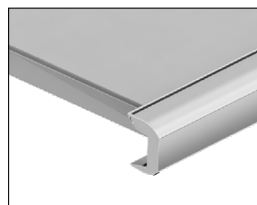
Maximum dimensions: W 600 × P 400 cm



Cassette



Concept Arms



End cap



UKCA



LED lighting



Motor

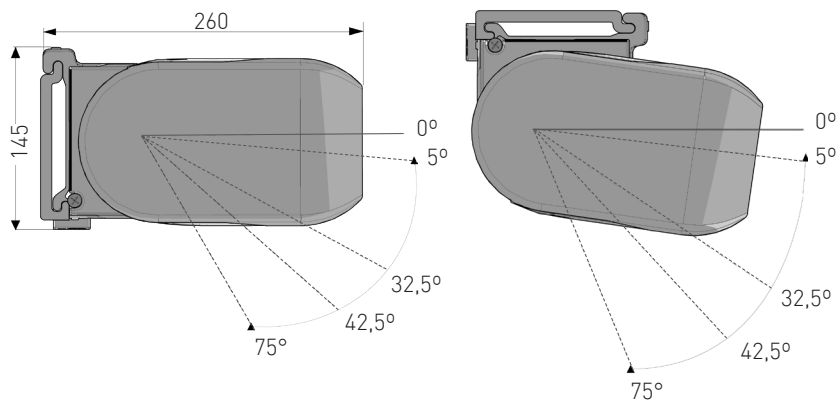


App WiFi



Aluminium

## Technical drawing



Maximum inclination: wall / ceiling

Wind resistance according to UNI EN 13561:2015

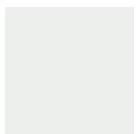
250	300	350	400	450	500	550	600	L/S	
2	2	2	2	2	2	2	2	200	
IM	2	2	2	2	2	2	2	225	
IM	IM	2	2	2	2	2	2	250	
IM	IM	2	2	2	2	2	2	275	
IM	IM	IM	2	2	2	1	1	300	
IM	IM	IM	IM	1	1	1	1	400	

■ Class 1   
 ■ Class 2   
 ■ Installation not possible





## Structure colours



WHITE



ANTHRACITE  
RAL 7016 TXT



BEIGE  
RAL 1013



GREY  
RAL 7035



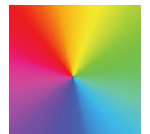
BRONZE TXT



SILVER TXT



BLACK  
RAL 9005 TXT



OTHER RAL



reddot winner 2025

## Gaviota: Innovation and Outdoor Design

Founded in 1968, Gaviota was created with the aim of designing outdoor solutions that combine design, technology and long-lasting performance. Over the years, the group has grown to become an international benchmark in the sector of awnings, pergolas and panoramic glazing systems, thanks to an approach that places innovation and reliability at its core.

Our identity is built on a strong commitment to environmental and social sustainability, fully integrated into our production processes and strategic choices. Every product is the result of continuous research into material quality, system efficiency and functional performance.

This catalogue reflects the outcome of steady growth, driven by the desire to offer our partners and customers increasingly advanced, high-performing and responsible solutions. With Gaviota, technology and nature find a new balance, creating outdoor spaces that are more comfortable, safe and harmonious.

**gaviota**

The Sun & Shutter Specialists

**GAVIOTA UK LTD**  
(Rear of) Anfield House  
Gorley Nurseries  
Ringwood Road  
Fordingbridge  
Hampshire SP6 2EX  
[gaviotagroup.co.uk](http://gaviotagroup.co.uk)

