

Luxaflex® external screens



# RS Classic Screens



The RS Classic screen system is distinguished by a box with side guide rails, integrated with a PVC or fiberglass fabric, which is durable and resistant to weather conditions such as gusty wind, hail or rain.

Additionally, thanks to the properties of the fabrics, they guarantee optical comfort inside the building.

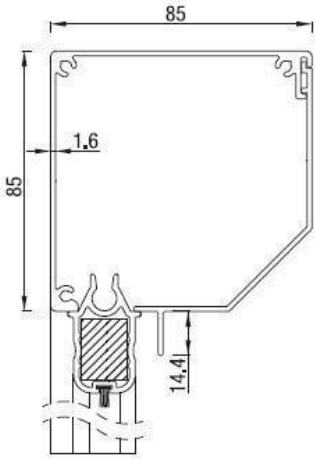
We offer a wide range of shapes and colours of boxes and guide rails, as well as a wide range of fabric colours to optimally adapt to the building facade.

Luxaflex® external screens

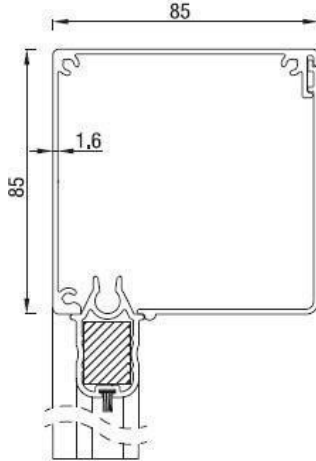


# RS Classic Screens

RS Classic 85 - 45°



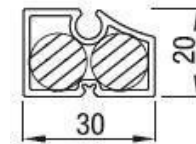
RS Classic 85 - square



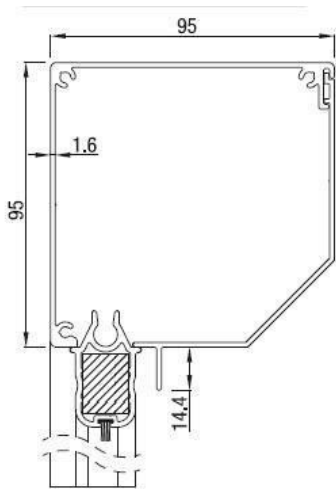
RS Classic 85 - IO motors only

Eolis IO sensor wire free wind sensor (option)

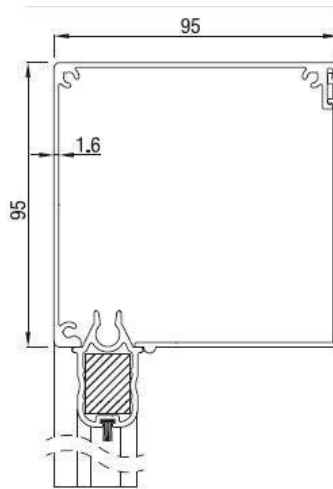
End slat



RS Classic 95 - 45°



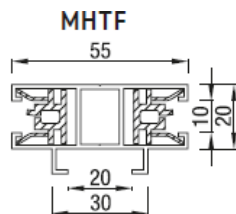
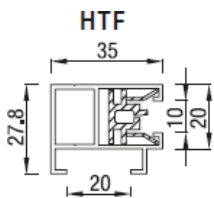
RS Classic 95 - square



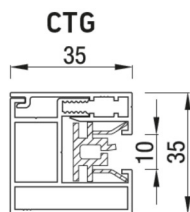
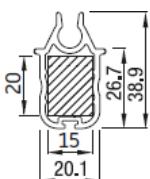
RS Classic 95 - IO motors only

Eolis IO sensor wire free wind sensor (option)

Guide rails



End slat



Profile colours



RAL 9001  
Cream white



RAL 9010  
White



RAL 9016  
Traffic White



Anodised



RAL 7016  
Anthracite gray



RAL 7039  
Quartz gray



RAL 8019  
Brown



0161 947 4930



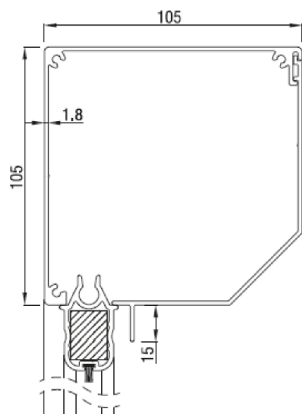
shutters.awnings@luxaflex.co.uk

Luxaflex® external screens

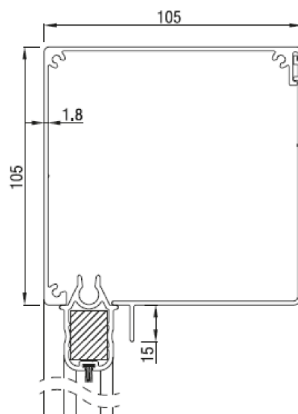


# RS Classic Screens

RS Classic 105 - 45°



RS Classic 105 - square

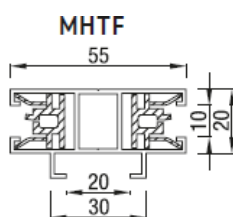
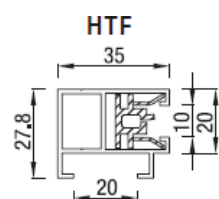


	Maximum	width (cm)	height (cm)	area (m <sup>2</sup> )
RS Classic 105		450	350	14,0

RS Classic 105 - IO motors or Crank control

Eolis IO sensor wire free wind sensor (option)

Guide rails



Profile colours

RAL 9001  
Cream whiteRAL 9010  
WhiteRAL 9016  
Traffic WhiteRAL 1015  
Ivory

Anodised

RAL 9006  
White aluminiumRAL 7016  
Anthracite gray

End slat

