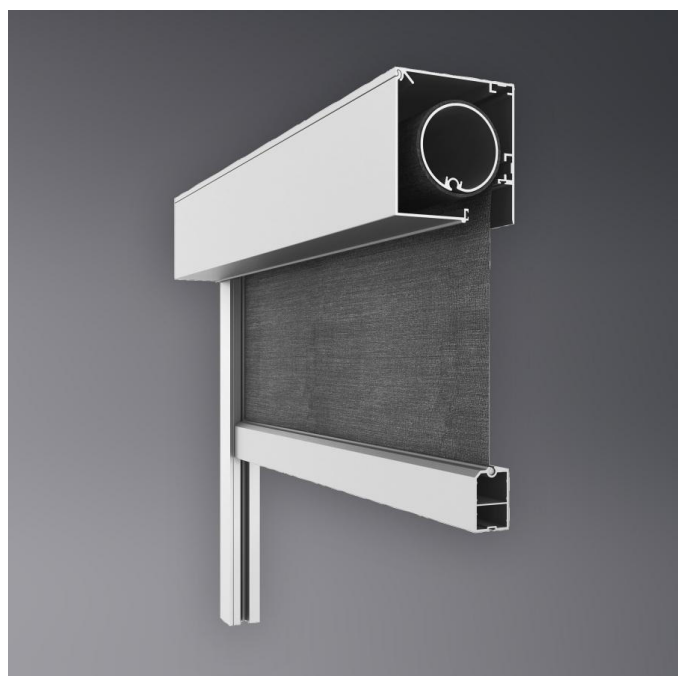


Screens



# RS Smart 150 Screen



Due to the innovative design that allows you to hide the bottom strip in the box, RS Smart takes less light than other similar products.

A box with side guides integrated with a fabric made of fiberglass and PVC, which is durable and resistant to weather conditions such as gusty wind, hail or rain. Additionally, thanks to the properties of the used fabrics, they guarantee optical comfort inside the building - on the one hand, they do not give the effect of darkening and on the other hand they suppress the penetration of intense sunlight.

RS Smart 150 can be used for very large areas - up to 7.0 mx 6.0 m. Another advantage of this model is the possibility of access to the box from below.

With the RS Smart 150 an option to have LED lights in the cassette is also possible.



0161 947 4930

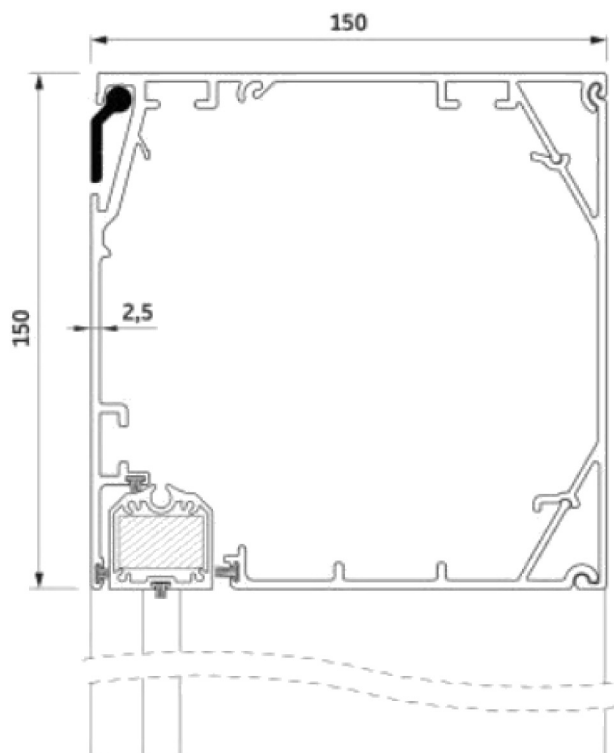


shutters.awnings@luxaflex.co.uk

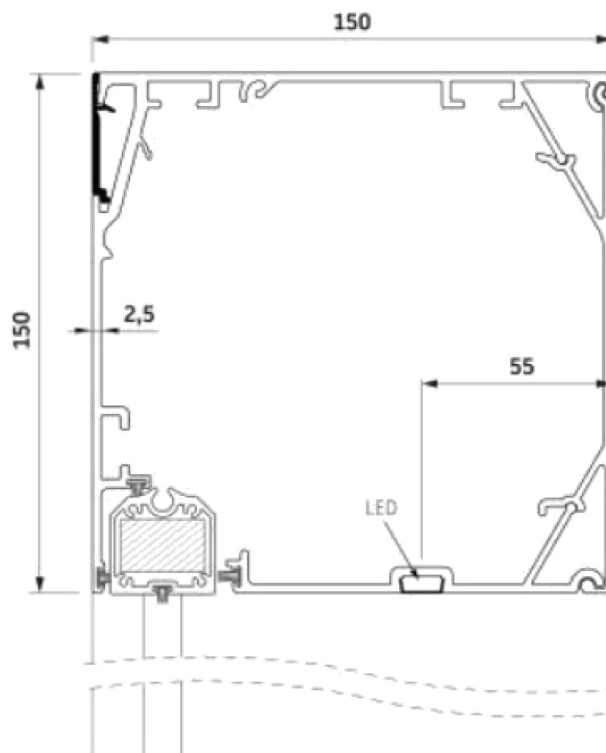
## RS Smart 150

Maximum	Profile	Width (cm)	Height (cm)	area (m <sup>2</sup> )
RS Smart 150		700	600	42.0
RS Smart 150	LED	700	300	

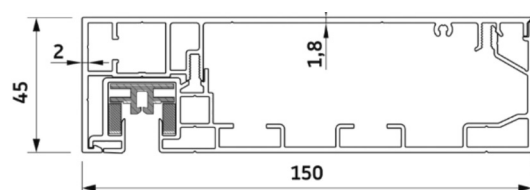
### RS Smart 150 Square



### RS Smart 150 LED

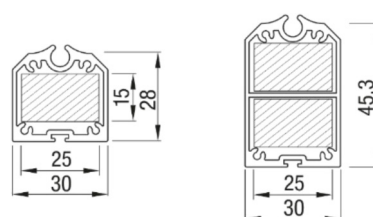


### Guide rail



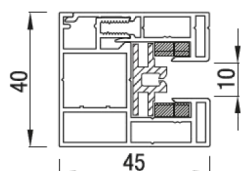
(Standard for LED lights)

### End slat



For Screens greater than  
4m width & height

### STG



## Screens

## RS Smart 150



## Profile Colours\*

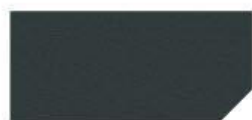
Colour closest to RAL\*

RAL 9001  
Cream whiteRAL 9010  
WhiteRAL 9016  
Traffic White

CO - natural (anodised)

RAL 7016  
Anthracite grayRAL 7039  
Quartz grayRAL 8019  
Brown

## Structural Finish\*

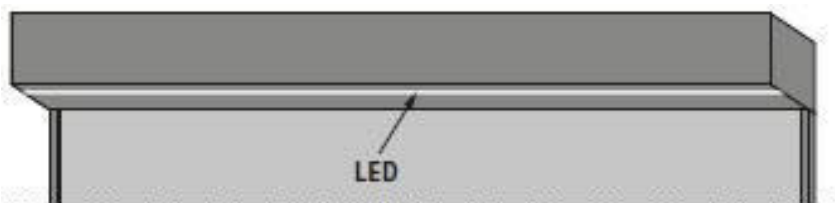
STR 9S06  
White aluminiumSTR 9S07  
Aluminium graySTR 7S39  
Quartz graySTR 7S16  
Anthracite graytiger 29/80081  
Iron Glimmer (Structural Finish)

\*\* Small colour differences may occur during the coating process. Slight colour variations are possible.

## LED Lights with a RS Smart 150

LED lights are in the front of the cassette.

Please note maximum height for RS Smart LED is 3mtr.



0161 947 4930



shutters.awnings@luxaflex.co.uk