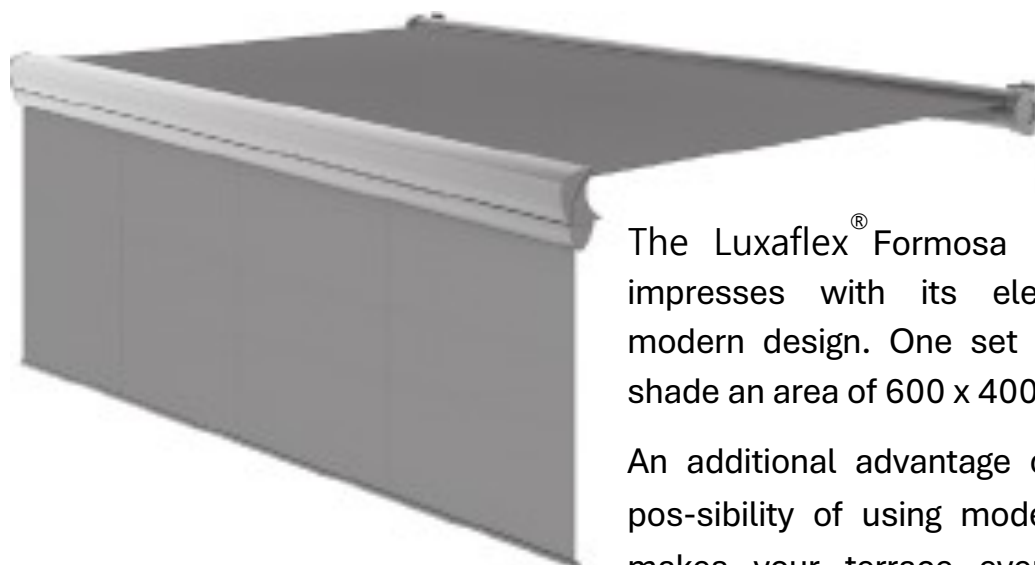


Luxaflex® Box Awnings



Formosa Max

+ extra valance



The Luxaflex® Formosa Max + extra valance impresses with its elegant appearance and modern design. One set of arms is sufficient to shade an area of 600 x 400 cm.

An additional advantage of Formosa Max is the possibility of using modern LED lighting, which makes your terrace even more attractive and practical!

 0161 947 4930

 shutters.awnings@luxaflex.co.uk

Luxaflex® Box Awnings

Formosa Max

+ extra valance



Product description

Type:

Formosa Max + Extra Valance

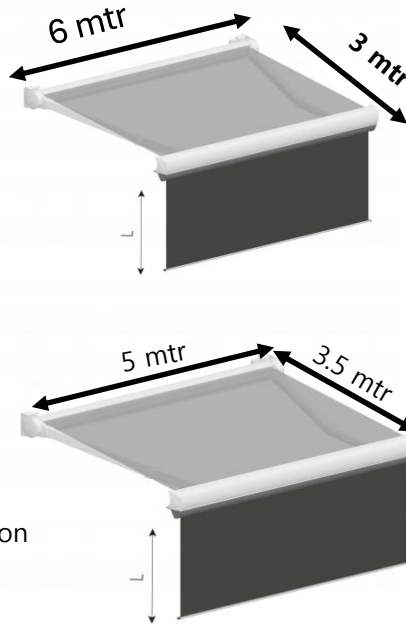
Maximum width:

600cm x 300cm

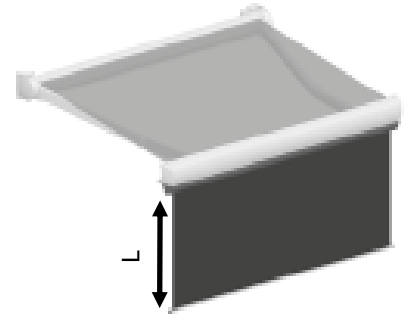
500cm x 350cm

Control:

230v electric - I/O or RTS motor option



Extra Valance



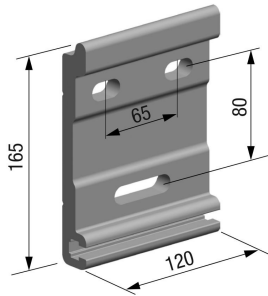
Manual drive

Extra Valance	L
Acryl (Dickson)	95 cm

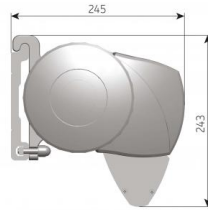
* Please note: extra valance is manual control with a crank handle.

Motor option available - I/O motor only

Bracket



Wall mounting



reach cm	200	250	300	350	400
arms →	2	2	2	2	2
minimum width cm	239	289	339	389	439



Std Arm



Arm with LED Lights

Available in 6 colours:



RAL 9001



RAL 9010



RAL 9016



RAL 7S16
Surcharge: + 6%



Tiger 29/80081
Surcharge: + 6%



RAL 9S07
Surcharge: + 6%

